

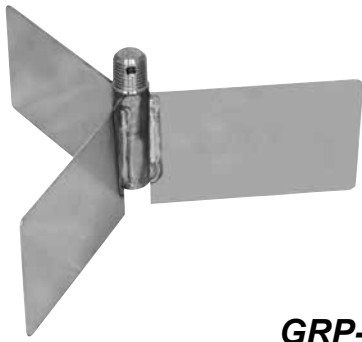


Rotary Paddle Selection Guide

| | Light Material | Medium Material | Heavy Material | Stainless Steel | Nylon | Insertable | Direct Connect | 3-Vane | Single-Vane |
|--------|----------------|-----------------|----------------|-----------------|-------|------------|----------------|--------|-------------|
| GRP-1 | X | | | X | | | | X | |
| GRP-2 | | X | | X | | | | X | |
| GRP-3 | | | X | X | | | | | X |
| GRP-11 | X | | | | X | | | X | |
| GRP-12 | | X | | | X | | | X | |
| GRP-22 | | | X | X | | | | X | |
| GRP-23 | | X | | X | | X | | | X |
| GRP-24 | | | X | | | | | | X |
| GRP-25 | X | | | X | | | | X | |
| GRP-26 | X | | | X | | | X | X | |
| GRP-27 | | X | | X | | X | X | | X |
| GRP-28 | X | | | X | | | | X | |
| GRP-29 | X | | | X | | | X | X | |
| GRP-30 | | X | | X | | | X | X | |
| GRP-31 | | | X | X | | | | | X |
| GRP-34 | | X | X | X | | X | X | | X |
| GRP-35 | | X | X | X | | X | X | | |
| GRP-36 | | X | X | X | | X | | | X |
| GRP-37 | | X | X | X | | X | | | |

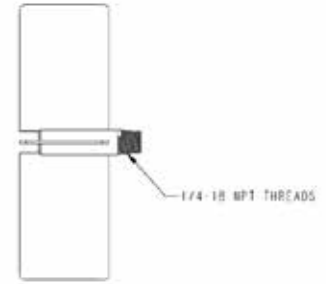
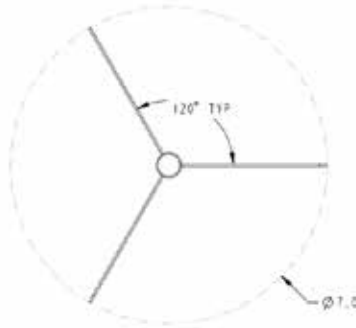
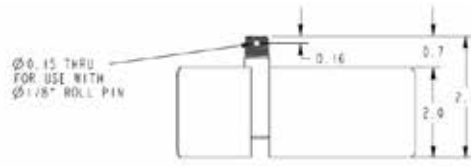


**BMRX and
MAXIMA+ ROTARIES**

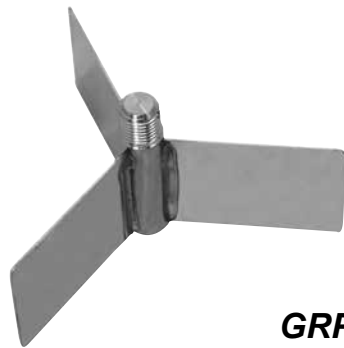


GRP-1

- Stainless steel
- For light materials
- 3-vane paddle
- 7" diameter
- Must be used with a coupler

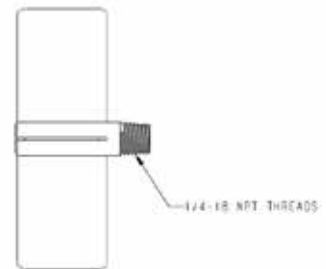
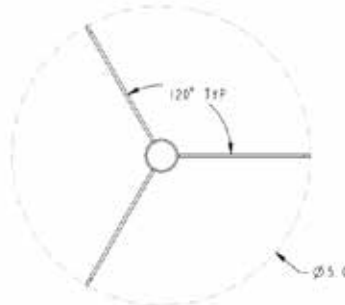
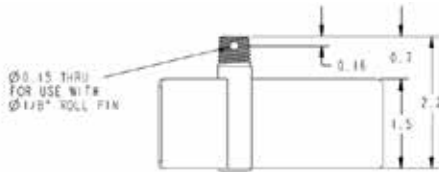


SCALE 0.500



GRP-2

- Stainless steel
- For medium materials
- 3-vane paddle
- 5" diameter
- Must be used with a coupler

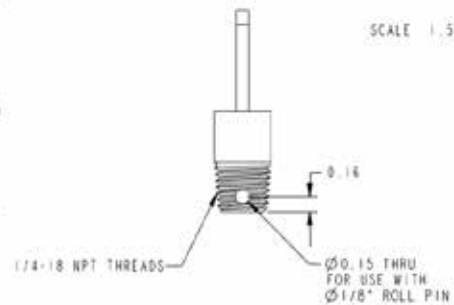
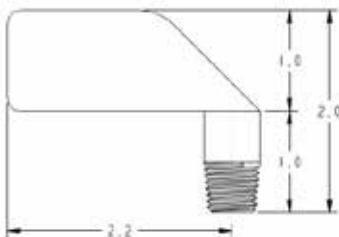


SCALE 0.750



GRP-3

- Insertable through a 1-1/4" or 1-1/2" NPT opening
- Stainless steel
- For heavy materials
- Single vane
- Turns in 5" diameter
- Must be used with a coupler

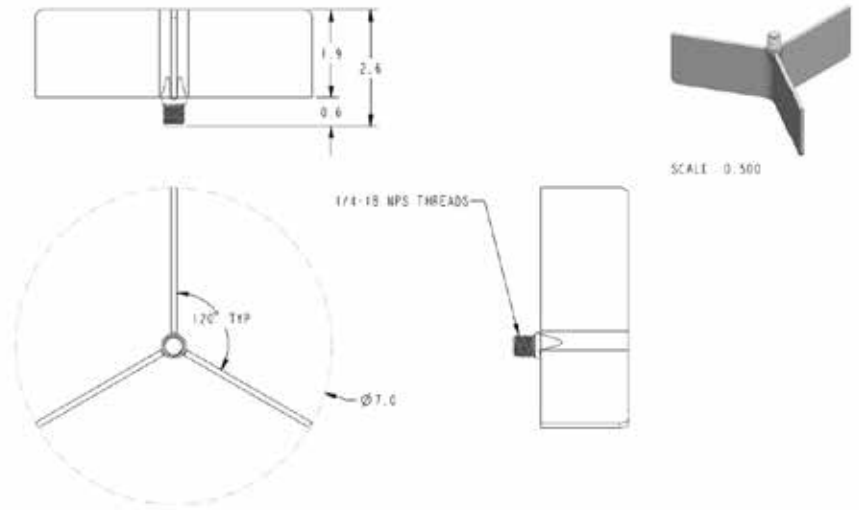


SCALE 1.500



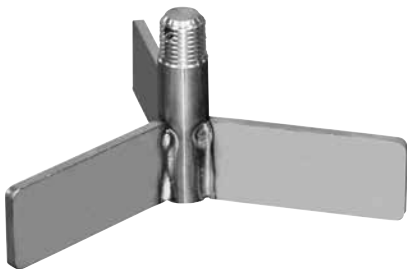
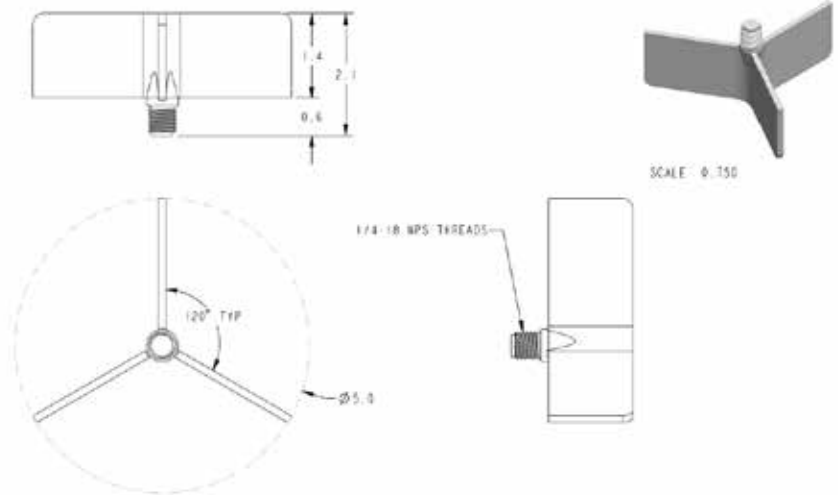
GRP-11

- Economical, nylon paddle
- For light materials
- 3-vane
- 7" diameter
- Must be used with a coupler



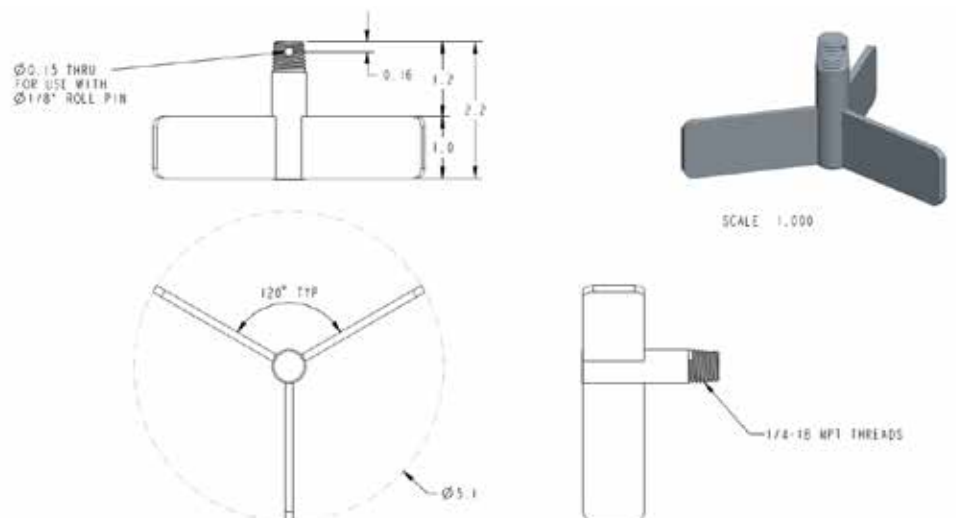
GRP-12

- Economical, nylon paddle
- For medium materials
- 3-vane paddle
- 5" diameter
- Must be used with a coupler



GRP-22

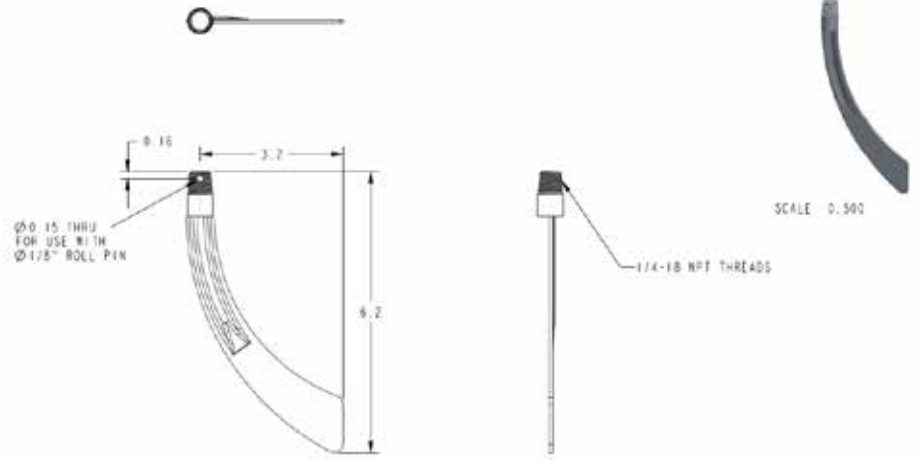
- Stainless steel
- For heavy materials
- 3-vane
- 5" diameter
- Must be used with a coupler





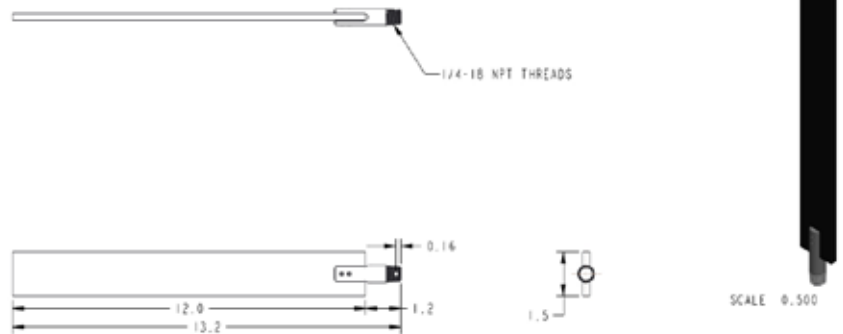
GRP-23

- Insertable through 1-1/4" or 1-1/2"
- NPT opening
- Stainless steel
- For medium materials
- Single bayonet style
- Turns in 5" diameter
- Must be used with a coupler



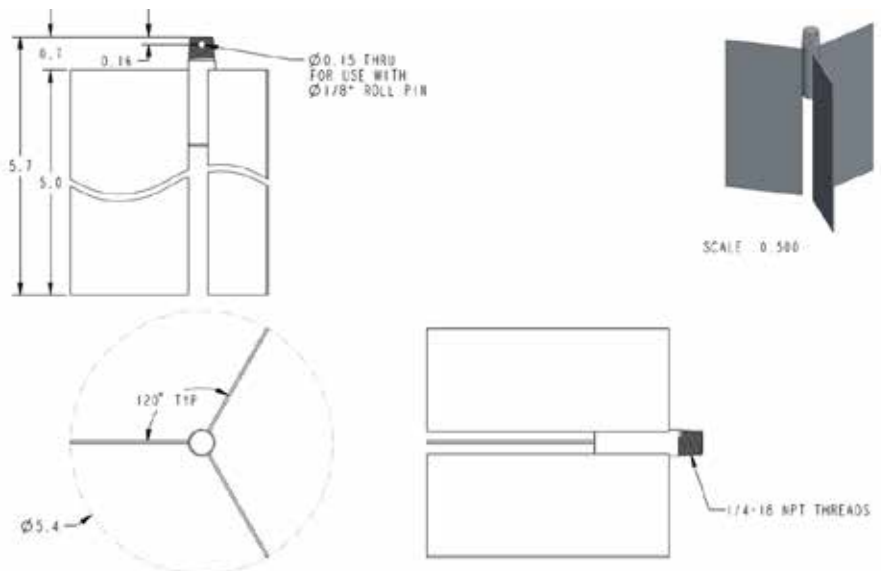
GRP-24

- 12" belt paddle
- For use in heavy materials such as rock, coal or aggregate
- Must be used with a coupler

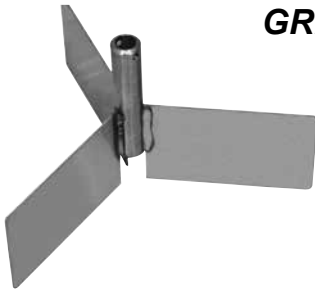


GRP-25

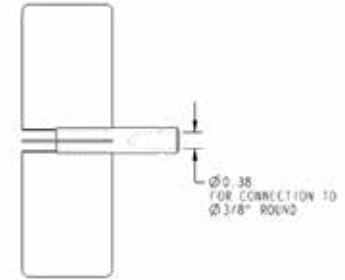
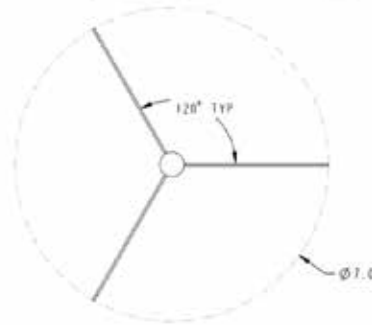
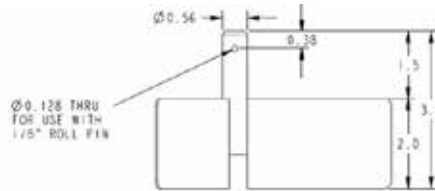
- Stainless steel
- For very light materials
- 3-vane
- Paddles are 5" tall and 1/16" thick to increase resistance in light materials
- Must be used with a coupler



GRP-26



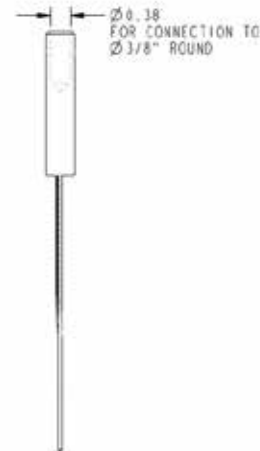
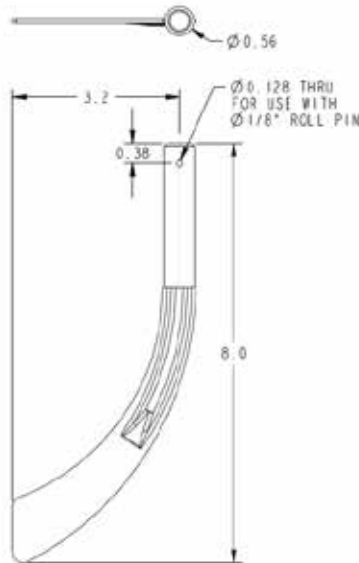
- Direct connect version of GRP-1
- Does not require use of coupler
- Should be used when side mounting only
- For light materials
- 3-vane, stainless steel
- 7" diameter, blades are 2' wide



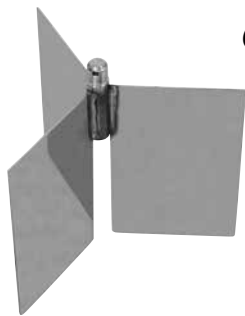
GRP-27



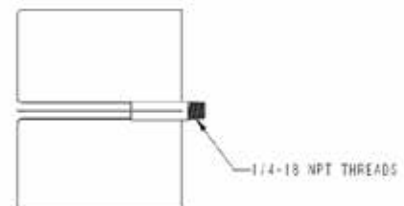
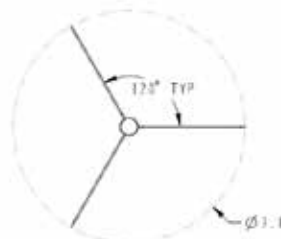
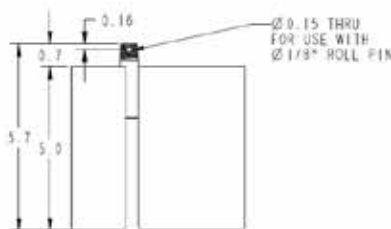
- Direct connect version of GRP-23
- Does not require use of coupler
- Should be used when side mounting only
- For medium materials
- Insertable, single bayonet style, stainless steel
- Blade is 1/8" thick and 1" wide



GRP-28



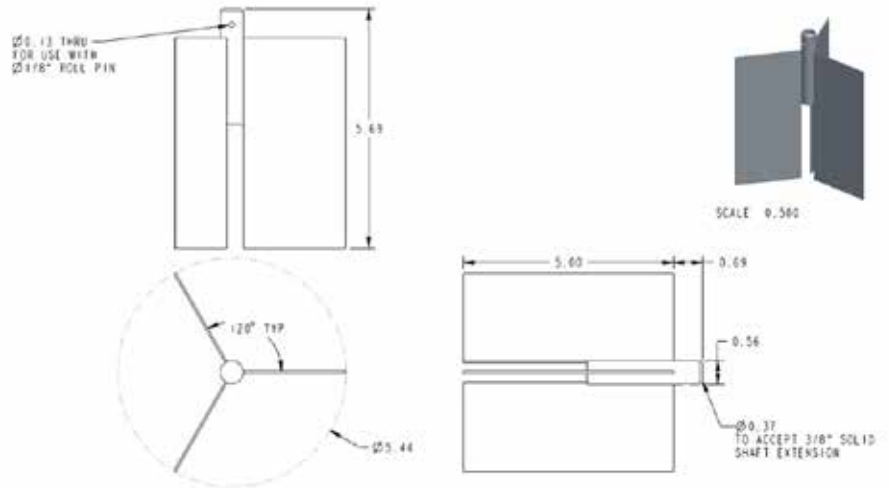
- For extremely light materials
- 3-vane, stainless steel
- 7" diameter for added resistance
- Blades are 5" tall and 1/16" thick to increase resistance in light materials



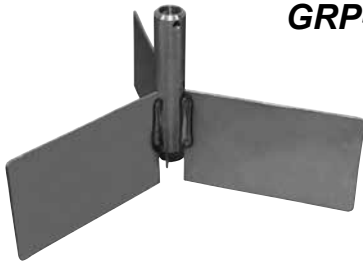
GRP-29



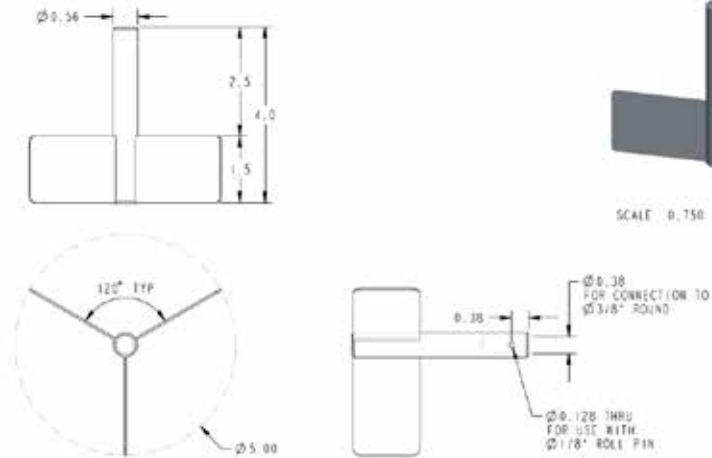
- Direct connect version of GRP-25
- Does not require use of coupler
- Should be used when side mounting only
- 3-vane, stainless steel paddle
- For very light materials
- Paddles are 5" tall and 1/16" thick to increase resistance in light materials



GRP-30



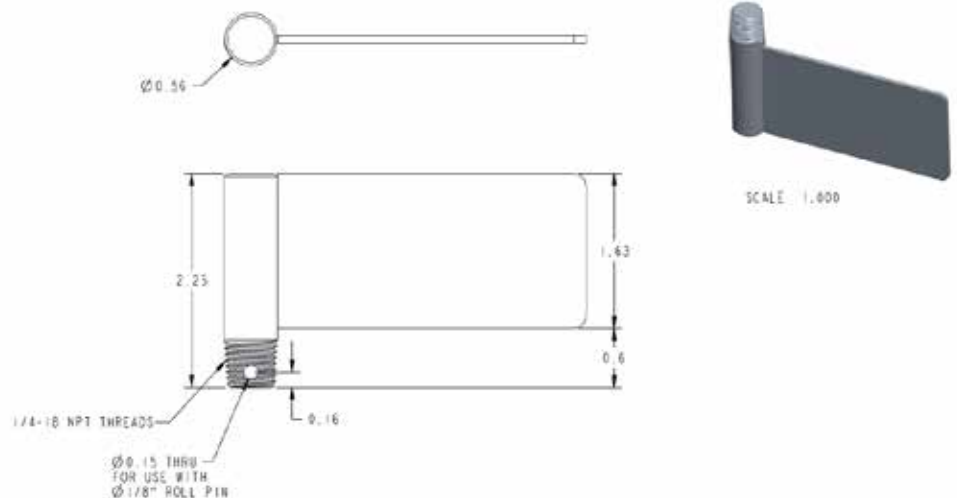
- Direct connect version of GRP-2
- Does not require use of coupler
- Should be used when side mounting only
- For medium materials
- 3-vane paddle, stainless steel
- 5" diameter



GRP-31



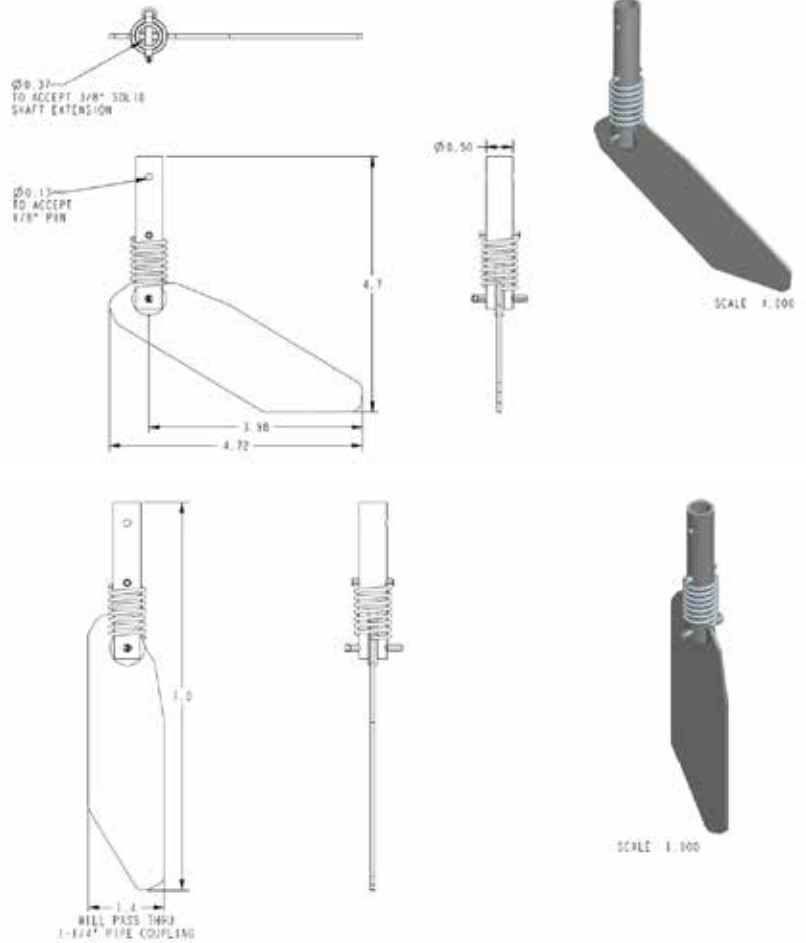
- Single blade
- Stainless steel
- 3-1/4" long for heavy materials
- Turns in 6-1/2" diameter
- Blade is 1/8" thick and 1.63" wide
- Must be used with a coupler



GRP-34



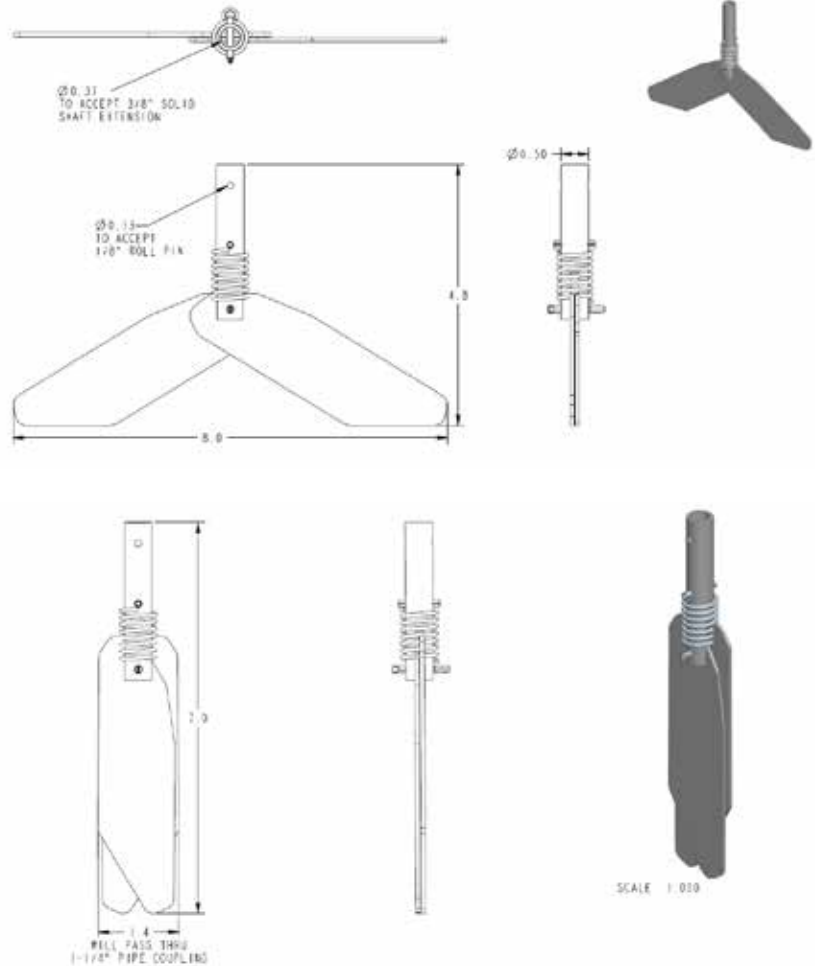
- Direct connect version of GRP-36
- Single bladed, insertable paddle
- Folds to insert through a 1-1/4" or 1-1/2" NPT opening
- Stainless steel
- Turns in 7-1/2" diameter
- Paddle blades are 1-1/2" wide



GRP-35



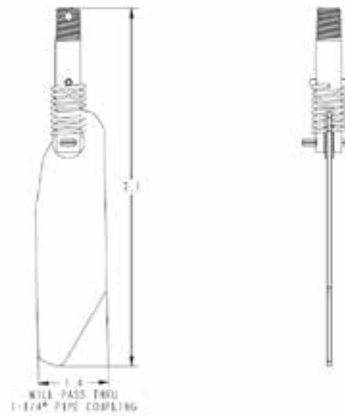
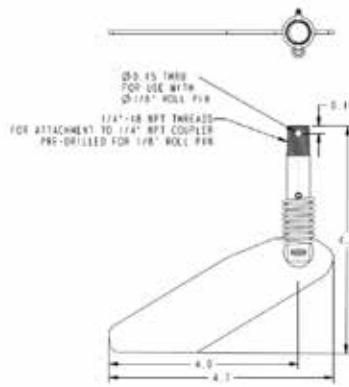
- Direct connect version of GRP-37
- Double bladed, insertable paddle
- Folds to insert through a 1-1/4" or 1-1/2" NPT opening
- Stainless steel
- Turns in 7-1/2" diameter
- Paddle blades are 1-1/2" wide





GRP-36

- Single bladed, insertable paddle
- Folds to insert through a 1-1/4" or 1-1/2" NPT opening
- Stainless steel
- Turns in 7-1/2" diameter
- Paddle blades are 1-1/2" wide
- Must be used with a coupler



GRP-37

- Double bladed, insertable paddle
- Folds to insert through a 1-1/4" or 1-1/2" NPT opening
- Stainless steel
- Turns in 7-1/2" diameter
- Paddle blades are 1-1/2" wide
- Must be used with a coupler

