

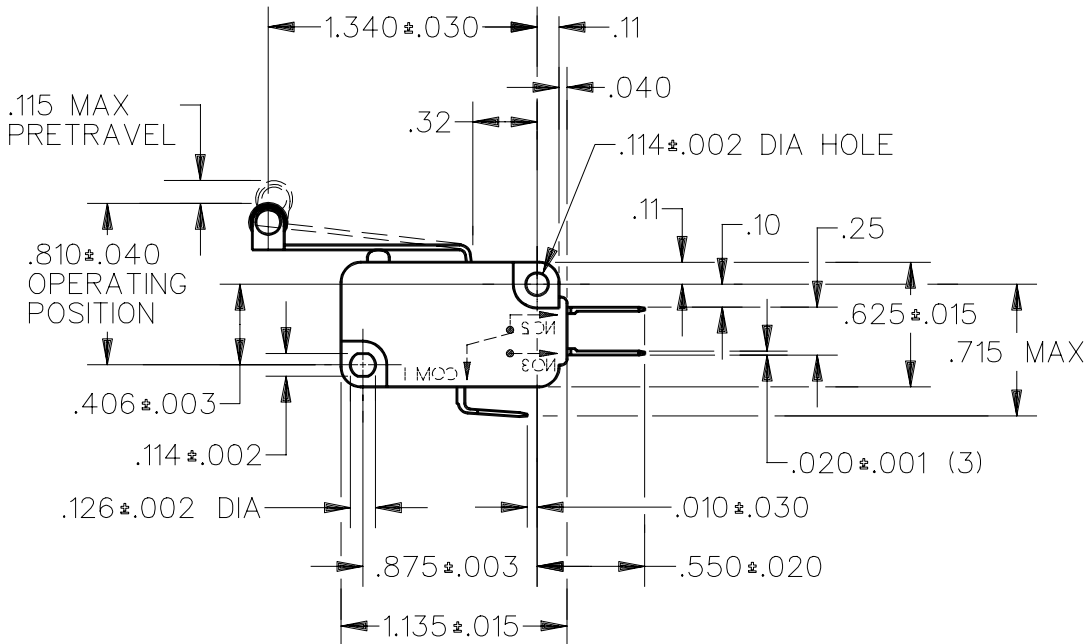
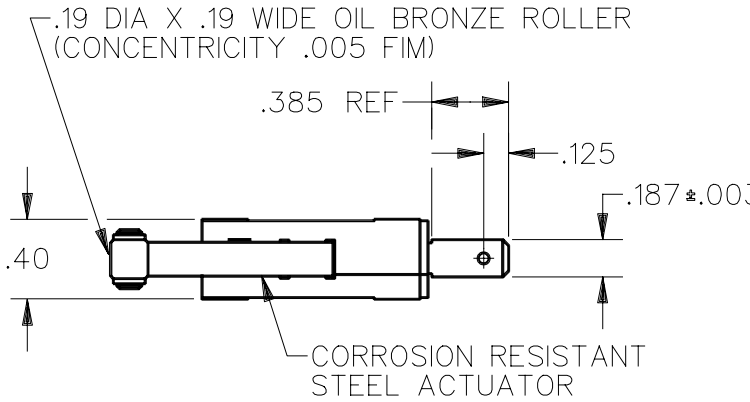
CATALOG LISTING  
**V7-1B17D8-207**  
 REPLACES  
 RELEASE NO. PR-18911

**M**  
 ISSUE  
**2**

REVISIONS	
A	CO-76198
	J A L
	15 NOV 93

CHECK	
CHECK	
CHECK	
CHECK	
CHECK	
CHECK	
CHECK	
CHECK	

DDM/CAD  
 DRAWN  
 B A B 11 JAN 91  
 J A P 15 JAN 91  
 CHECK



THIS DRAWING COVERS A PROPRIETARY ITEM AND IS THE PROPERTY OF MICRO SWITCH, A DIVISION OF HONEYWELL. THIS DRAWING IS NOT TO BE COPIED OR USED WITHOUT THE APPROVAL OF MICRO SWITCH.



CHARACTERISTICS	
OPERATING FORCE	85 GRAMS MAX
RELEASE FORCE	9 GRAMS MIN
DIFFERENTIAL TRAVEL	.030 MAX
OVERTRAVEL	.060 MIN
RELEASE TRAVEL	.016 MIN

ELECTRICAL DATA	
CONTACT ARRANGEMENT S P D T	
L156	11A 1/3HP 125, 250 OR 277 VAC 1/2A 125 VDC, 1/4A 250 VDC 4A 125 VAC "L"

SCALE	FULL	DO NOT SCALE PRINT
<b>UNLESS OTHERWISE SPECIFIED TOLERANCES ARE</b>		
ONE PLACE	(.0)	±.030
TWO PLACE	(.00)	±.015
THREE PLACE	(.000)	±.005
ANGLES		±
WEIGHT		

