



Touch Screen



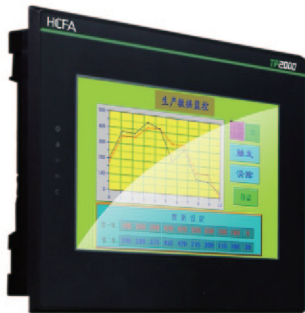
Offering a range of screen colors and sizes
Combining affordability with functionality

April, 2016

To be the most valuable industrial automation system service provider

Performance

ARM A83352, Higher performance, **50%** improved



■ TP2507

Easy-to-use

Newest configuration software HCT-Designer, make the operation more easier

TP2000

Meet your needs in more occasions

Renewal of TP1000, TP2000 make more improvements
The new and improved products, with more beautiful appearance
more stable performance and richer functions, can meet the requirements of different customers in different fields



■ TP2504

Interface

With Ethernet, communication port, USB and SD card

Size

Full range of sizes, exquisite appearance and easy to install



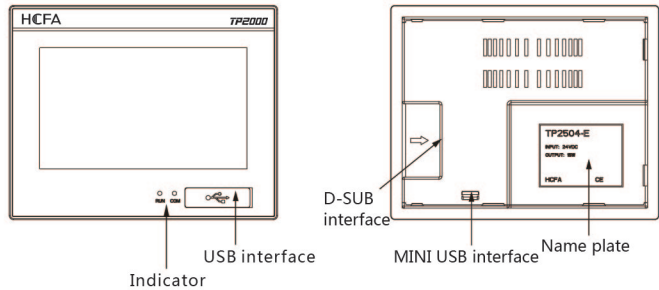
■ TP2510

— TP2504 —



4.3" touch panel

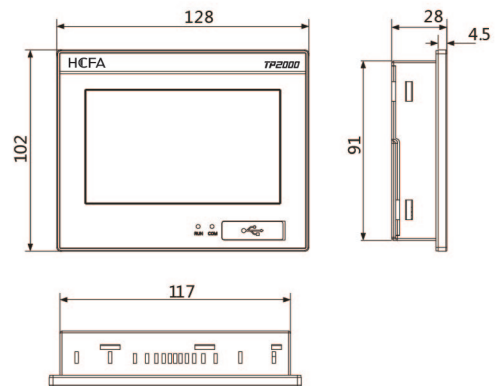
Part names



Parameters

| Parameter | TL2504 | TP2504 | TP2504-E |
|-----------------------|--|--|--|
| Color display | 16-bit | 24-bit | 24-bit |
| Ethernet | None | None | Provided |
| SD CARD | None | None | None |
| USB HOST | Provided | Provided | Provided |
| USB DEVICE | Provided | Provided | Provided |
| COM1/COM3 | Provided | Provided | Provided |
| COM2/COM4 | None | None | None |
| Isolated power supply | Non-isolated power Surge protection | Non-isolated power Surge protection | Non-isolated power Surge protection |

External dimension



Cutout dimension : 119(W)×93(H)mm

Basic parameters

| Electrical specification | |
|-------------------------------|--|
| Power Consumption | <5W |
| Rated voltage | 24VDC, Input Range: 20.4V~26.4VDC |
| Power protection | Non-isolated power supply , Protect from surging and thunderstrike |
| Allowable momentary power-off | <5mS |
| CE | Complied with EN61000-6-2:2005, EN61000-6-4:2007 |
| RoHS | Surge Immunity ±4KV, EFT: ±4KV, ESD: 4KV, Air: 8KV |
| Environment Specification | |
| Operation Temperature | 0~50°C |
| Storage Temperature | -20~60°C |
| Operation Humidity | 10-90% RH (Without condensation) |
| Vibration Resistance | 10~25 Hz(2G/30min in X,Y,Z direction) |
| Cooling | Natural air cooling |
| Others | |
| Enclosure Rating | Front IP65(With NEMA Panel), Back IP20 |
| Housing Material | PBT+PC |
| Cutout Dimension | 119×93 (mm) |
| Dimension | 128×102×28 (mm) |
| Weight | About 260g |

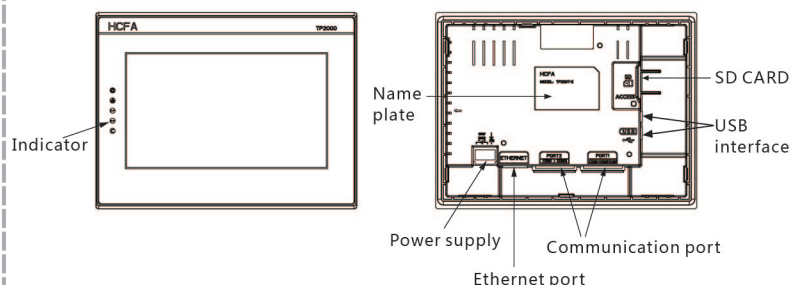
| Hardware specification | |
|------------------------|--|
| Display | 4.3" TFT LCD |
| Resolution | 480×272 |
| Color | 24/ 16 bit |
| Brightness | 300 cd/m ² |
| Backlight | LED |
| LCD lifetime | 50,000 hours |
| Touch Panel | 4 wire resistive touch panel (Surface hardness 4H) |
| CPU | 600MHz ARM Cortex A8 |
| Memory | 128M Flash + 128M DDR3 |
| RTC | Built in real-time clock |
| Ethernet | 10M / 100M Ethernet port |
| USB Port | 1 USB Device 2.0 port 1 USB Host 2.0 port |
| Program Download | USB Host/ USB Slave/Ethernet are provided |
| COM port | COM1 : RS232/RS485/RS422 COM3 : RS232 |

— TP2507 —



7" touch panel

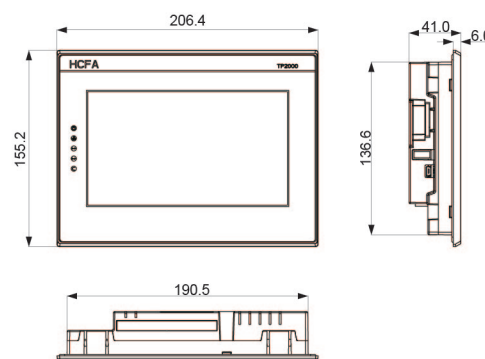
Part names



Parameters

| Parameter | TL2507 | TP2507 | TP2507-E |
|-----------------------|--|------------------------------------|------------------------------------|
| Color display | 16-bit | 24-bit | 24-bit |
| Ethernet | None | None | Provided |
| SD CARD | None | Provided | Provided |
| USB HOST | Provided | Provided | Provided |
| USB DEVICE | Provided | Provided | Provided |
| COM1/COM3 | Provided | Provided | Provided |
| COM2/COM4 | None | Provided | Provided |
| Isolated power supply | Non-isolated power Surge protection | Isolated power Surge protection | Isolated power Surge protection |

External dimension



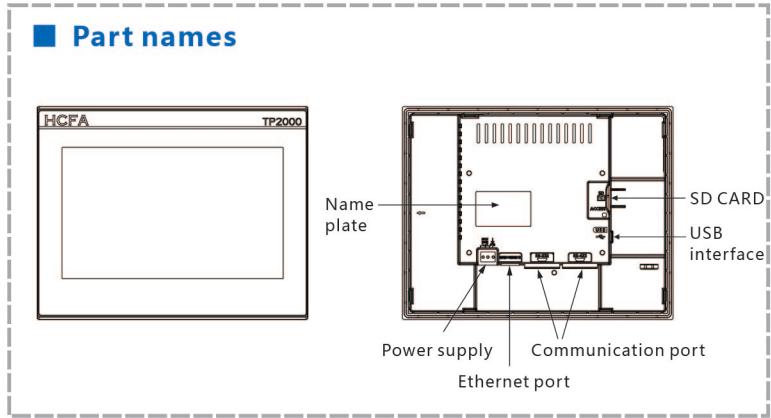
Cutout dimension : 191.5(W)×137.6(H)mm

Basic parameters

| Electrical specification | |
|-------------------------------|---|
| Power Consumption | <7W |
| Rated voltage | 24VDC, Input Range: 18V~28VDC |
| Power protection | Isolated power supply block, Protect from surging and thunderstrike |
| Allowable momentary power-off | <5mS |
| CE | Complied with EN61000-6-2:2005, EN61000-6-4:2007 |
| RoHS | Surge Immunity ±4KV, EFT: ±4KV, ESD: 4KV, Air: 8KV |
| Environment Specification | |
| Operation Temperature | 0~50°C |
| Storage Temperature | -20~60°C |
| Operation Humidity | 10-90% RH (Without condensation) |
| Vibration Resistance | 10~25 Hz(2G/30min in X,Y,Z direction) |
| Cooling | Natural air cooling |
| Others | |
| Enclosure Rating | Front IP65(With NEMA Panel), Back IP20 |
| Housing Material | PBT+PC |
| Cutout Dimension | 191.5×137.6 (mm) |
| Dimension | 206.4×155.2×41.0 (mm) |
| Weight | About 900g |

| Hardware specification | |
|------------------------|---|
| Display | 7" TFT LCD |
| Resolution | 800×480 |
| Color | 24/ 16 bit |
| Brightness | 300 cd/m ² |
| Backlight | LED |
| LCD lifetime | 50,000 hours |
| Touch Panel | 4 wire resistive touch panel (Surface hardness 4H) |
| CPU | 600MHz ARM Cortex A8 |
| Memory | 128M Flash + 128M DDR3 |
| RTC | Built in real-time clock |
| Ethernet | 10M / 100M Ethernet port |
| USB Port | 1 USB Device 2.0 port 1 USB Host 2.0 port |
| Program Download | USB Host/ USB Slave/ SD card/ Ethernet are provided. |
| COM port | COM1/COM2 : RS232/RS485/RS422 ; COM3/COM4 : RS232 |

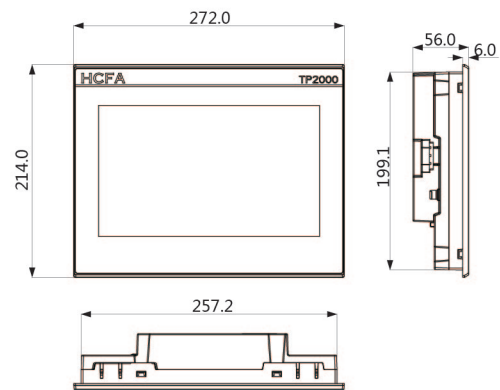
— TP2510 —



Parameters

| Parameter | TL2510 | TP2510 | TP2510-E |
|-----------------------|--|------------------------------------|------------------------------------|
| Color display | 16-bit | 24-bit | 24-bit |
| Ethernet | None | None | Provided |
| SD CARD | None | Provided | Provided |
| USB HOST | Provided | Provided | Provided |
| USB DEVICE | Provided | Provided | Provided |
| COM1/COM3 | Provided | Provided | Provided |
| COM2/COM4 | None | Provided | Provided |
| Isolated power supply | Non-isolated power Surge protection | Isolated power Surge protection | Isolated power Surge protection |

External dimension



Cutout dimension : 258.2(W)×200.1(H)mm

Basic parameters

| Electrical specification | |
|-------------------------------|---|
| Power Consumption | <10W |
| Rated voltage | 24VDC, Input Range: 18V~28VDC |
| Power protection | Isolated power supply block, Protect from surging and thunderstrike |
| Allowable momentary power-off | <5mS |
| CE | Complied with EN61000-6-2:2005, EN61000-6-4:2007 |
| RoHS | Surge Immunity ±4KV, EFT: ±4KV, ESD: 4KV, Air: 8KV |
| Environment Specification | |
| Operation Temperature | 0~50°C |
| Storage Temperature | -20~60°C |
| Operation Humidity | 10~90% RH (Without condensation) |
| Vibration Resistance | 10~25 Hz(2G/30min in X,Y,Z direction) |
| Cooling | Natural air cooling |
| Others | |
| Enclosure Rating | Front IP65(With NEMA Panel), Back IP20 |
| Housing Material | PBT+PC |
| Cutout Dimension | 258.2×200.1 (mm) |
| Dimension | 272×214×56 (mm) |
| Weight | About 1300g |

| Hardware specification | |
|------------------------|---|
| Display | 10.1" TFT LCD |
| Resolution | 800×480 |
| Color | 24/ 16 bit |
| Brightness | 300 cd/m ² |
| Backlight | LED |
| LCD lifetime | 50,000 hours |
| Touch Panel | 4 wire resistive touch panel (Surface hardness 4H) |
| CPU | 600MHz ARM Cortex A8 |
| Memory | 128M Flash + 128M DDR3 |
| RTC | Built in real-time clock |
| Ethernet | 10M / 100M Ethernet port |
| USB Port | 1 USB Device 2.0 port 1 USB Host 2.0 port |
| Program Download | USB Host/ USB Slave/ SD card/ Ethernet are provided. |
| COM port | COM1/COM2 : RS232/RS485/RS422 ; COM3/COM4 : RS232 |

HCFA

HCFA CORPORATION LIMITED



info@hcfa.cn



0570-7117888



0570-7882868



No. 9, Fucai Road, Longyou Chengbei Industrial Zone, Quzhou, Zhejiang Province, PRC

